

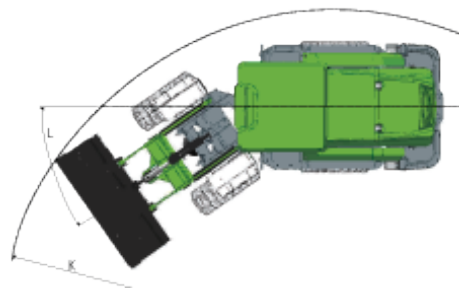
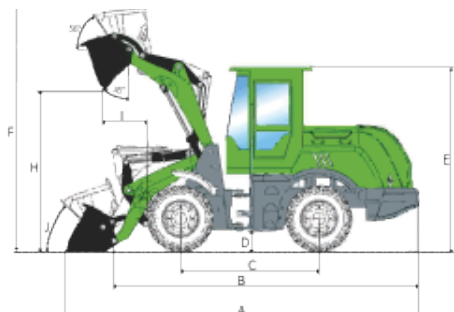
ALL ELECTRIC

GEL-1800

All-Electric Wheeled Front Loader



Dimensions	Unit	GEL-1800
A - Overall Length with Bucket	ft. in. (mm)	18' 9" (5,760)
B - Overall Length Without Bucket	ft. in. (mm)	17' 4" (5,280)
C - Wheel Base	ft. in. (mm)	7' 5" (2,260)
D - Minimum Ground Clearance	ft. in. (mm)	1' 2" (355)
E - Overall Height	ft. in. (mm)	9' 10" (3,000)
F - Overall Height Bucket Raised	ft. in. (mm)	13' 3" (4,040)
G - Overall Width	ft. in. (mm)	6' 6" (1,995)
H - Maximum Dumping Height	ft. in. (mm)	8' 6" (2,610)
I - Reach with Bucket Raised	ft. in. (mm)	4' 3" (1,300)
J - Bucket Articulation	degrees	45
K - Clearance Distance	ft. in. (mm)	18' 10" (5,510)
L - Angle of Articulation	degrees	35



General	Unit	GEL-1800
Wheel Tread	ft. in. (mm)	4' 11" (1,500)
Operating Weight	lb. (kg)	11,464 (5,200)
Rated Load	lb. (kg)	3,968 (1,800)
Tipping Load	lb. (kg)	8,378 (3,800)
Bucket Capacity	yd ³ (m ³)	1.3 (1.0)
Dumping Distance	ft. in. (mm)	3' 2" (975)
Rear Axle Lateral Swing Angle	degrees	7
Maximum Digging Force	kN	50
Maximum Gradeability	%	35
Lifting Time	s	5.5
Descent Time	s	3
Unloading Time	s	1.5



Driving	Unit	GEL-1800
Forward I Speed	mph (kph)	6 (10)
Forward II Speed	mph (kph)	16 (26)
Reverse Speed	mph (kph)	6 (10)
Steering Mode	-	Articulated Frame Steering
Motor Type	-	Permanent Magnet Synchronization
Rated Power	kW	57
Rated Voltage	V	380
Transmission Type	-	Hydraulic
Transmission Gear	-	2 Forward 1 Reverse
Main Drive	-	Spiral Bevel Gear One Stage Reduction
Hub Reductor Type	-	Spur Gear Planet Drive
Tire	-	16/70-20PR
Brakes	-	Hydraulic Caliper Disc Brakes
Four wheel drive	-	Yes
Driving Hydraulics	Unit	GEL-1800
Drive/Steering Oil Capacity	gal (L)	4.0 (15)
Transmission Oil Capacity	gal (L)	4.0 (15)
Steering Service Pressure	psi (Mpa)	2,175 (15)
Steering Output Volume	ml/r	15
Protection grade IP67	-	YES
Hydraulics System	Unit	GEL-1800
Working Oil Capacity	gal (L)	26.4 (100)
Working Hydraulic Pressure	psi (Mpa)	2,320 (16)
Working Hydraulic Output Volume	gpm (Lpm)	39.6 (150)
Working Hydraulic Rated Power	kW	37.7
Working Hydraulic Motor Type	-	Permanent Magnet Synchronization
Protection grade IP67	-	YES
Battery	Unit	GEL-1800
Battery Type	-	Lithium Ferrophosphate (LFP)
Battery Capacity	Ah kWh	228 141
Battery Voltage	V	618.24
Energy Consumption (Underload)	kWh/h	12
Battery Operating Temperature	°F (°C)	-31-140 (-35-60)
Battery Cooling Mode	-	Liquid Cooling
Battery Heating Mode	-	PTC Heating
Service Life	Cycles	4,000; Capacity Fade <30%
Charging Port	-	J1772 / CCS1
Auxillary Battery Type	-	Lead-Acid
Auxillary Battery Capacity	Ah	36
Auxillary Battery Voltage	V	24
Charging Times (220V 480V DCFC)	hrs (approx.)	14 5 <1.5
Linkage	Unit	GEL-1800
Lift Cylinders	-	2
Tilt Cylinders	-	1
Miscellaneous	Unit	GEL-1800
Sound Level in Cab	dBa	39.3
Sound Level 15ft away	dBa	49.2

If you're interested in learning more about our GEL series electric front loaders and would like to see the features and capability first hand, please get in touch: sales@gethevi.com

[SCHEDULE A DEMO TODAY](#)

[gethevi.com](https://www.gethevi.com)