

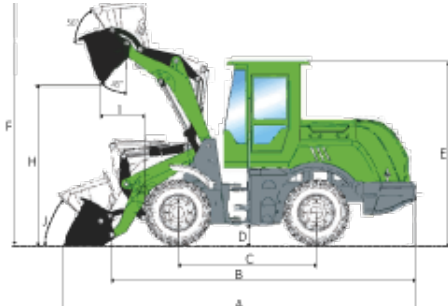
ALL ELECTRIC LOAD Series

All-Electric Wheeled Front Loaders

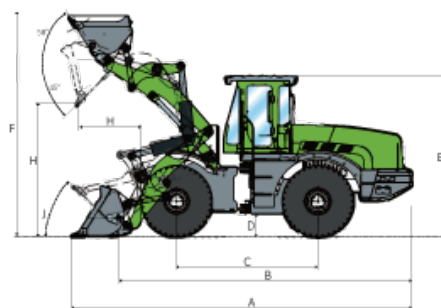


Dimensions	Unit	GEL-1800	GEL-5000
A - Overall Length with Bucket	ft. in. (mm)	18' 9" (5,760)	28' 6" (8,700)
B - Overall Length Without Bucket	ft. in. (mm)	17' 4" (5,280)	26' 2" (7,975)
C - Wheel Base	ft. in. (mm)	7' 5" (2,260)	10' 10" (3,310)
D - Minimum Ground Clearance	ft. in. (mm)	1' 2" (355)	1' 5" (430)
E - Overall Height	ft. in. (mm)	9' 10" (3,000)	11' 1" (3,380)
F - Overall Height Bucket Raised	ft. in. (mm)	13' 3" (4,040)	14' 6" (4,420)
G - Overall Width	ft. in. (mm)	6' 6" (1,995)	9' 11" (3,016)
H - Maximum Dumping Height	ft. in. (mm)	8' 6" (2,610)	10' 2" (3,100)
I - Reach with Bucket Raised	ft. in. (mm)	4'3" (1,300)	4'3" (1,300)
J - Bucket Articulation	degrees	45	45
K - Clearance Distance	ft. in. (mm)	18' 10" (5,510)	28' 8" (8,750)
L - Angle of Articulation	degrees	35	35

GEL-1800



GEL-5000



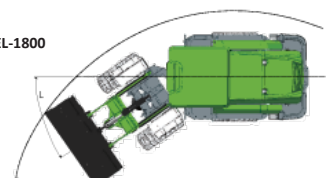
GEL-1800



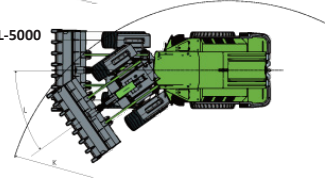
GEL-5000



GEL-1800



GEL-5000



General	Unit	GEL-1800	GEL-5000
Wheel Tread	ft. in. (mm)	4' 11" (1,500)	7' 6" (2,290)
Operating Weight	lb. (kg)	11464 (5,200)	39683 (18,000)
Rated Load	lb. (kg)	3968 (1,800)	12125 (5,500)
Tipping Load	lb. (kg)	8378 (3,800)	17637 (8,000)
Bucket Capacity	yd ³ (m ³)	1.3 (1.0)	3.9 (3.0)
Dumping Distance	ft. in. (mm)	3' 2" (975)	3' 7" (1,100)
Rear Axle Lateral Swing Angle	degrees	7	7
Maximum Digging Force	kN	50	160
Maximum Gradeability	%	35	53
Lifting Time	s	5.5	6
Descent Time	s	3	4.5
Unloading Time	s	1.5	1.5



Driving	Unit	GEL-1800	GEL-5000
Forward I Speed	mph (kph)	6 (10)	15 (24)
Forward II Speed	mph (kph)	16 (26)	20 (32)
Reverse Speed	mph (kph)	6 (10)	7 (12)
Steering Mode	-	Articulated Frame Steering	Articulated Frame Steering
Motor Type	-	Permanent Magnet Synchronization	Permanent Magnet Synchronization
Rated Power	kW	57	120
Rated Voltage	V	380	380
Transmission Type	-	Hydraulic	Hydraulic
Transmission Gear	-	2 Forward 1 Reverse	2 Forward 1 Reverse
Main Drive	-	Spiral Bevel Gear One Stage Reduction	Spiral Bevel Gear One Stage Reduction
Hub Reductor Type	-	Spur Gear Planet Drive	Spur Gear Planet Drive
Tire	-	16/70-20PR	23.5-25-16PR
Brakes	-	Hydraulic Caliper Disc Brakes	Hydraulic Caliper Disc Brakes
Driving Hydraulics	Unit	GEL-1800	GEL-5000
Drive/Steering Oil Capacity	gal (L)	4.0 (15)	9.5 (36)
Transmission Oil Capacity	gal (L)	4.0 (15)	6.6 (25)
Steering Service Pressure	psi (Mpa)	2,175 (15)	2,175 (15)
Steering Output Volume	ml/r	15	80
Protection grade IP67	-	YES	YES
Hydraulics System	Unit	GEL-1800	GEL-5000
Working Oil Capacity	gal (L)	26.4 (100)	58.1 (220)
Working Hydraulic Pressure	psi (Mpa)	2,320 (16)	2,610 (18)
Working Hydraulic Output Volume	gpm (Lpm)	39.6 (150)	47.6 (180)
Working Hydraulic Rated Power	kW	37.7	90
Working Hydraulic Motor Type	-	Permanent Magnet Synchronization	Permanent Magnet Synchronization
Protection grade IP67	-	YES	YES
Battery	Unit	GEL-1800	GEL-5000
Battery Type	-	Lithium Ferrophosphate (LFP)	Lithium Ferrophosphate (LFP)
Battery Capacity	Ah kWh	228 141	456 282
Battery Voltage	V	618.24	618.24
Energy Consumption (Underload)	kW/h	12	24
Battery Operating Temperature	°F (°C)	-31-140 (-35-60)	-31-140 (-35-60)
Battery Cooling Mode	-	Liquid Cooling	Liquid Cooling
Battery Heating Mode	-	PTC Heating	PTC Heating
Service Life	Cycles	4,000; Capacity Fade <30%	4,000; Capacity Fade <30%
Charging Port	-	J1772 / CCS1	J1772 / CCS1
Auxillary Battery Type	-	Lead-Acid	Lead-Acid
Auxillary Battery Capacity	Ah	36	60
Auxillary Battery Voltage	V	24	24
Charging Times (220V 480V DCFC)	hrs	12 3 <1.5	13 5 <1.5
Linkage	Unit	GEL-1800	GEL-5000
Lift Cylinders	-	2	2
Tilt Cylinders	-	1	1
Miscellaneous	Unit	GEL-1800	GEL-5000
Sound Level in Cab	dBa	39.3	39.3
Sound Level 15ft away	dBa	49.2	49.2
Four wheel drive	-	Yes	Yes

If you're interested in learning more about our GEL series electric front loaders and would like to see the features and capability first hand, please get in touch: sales@gethevi.com

[SCHEDULE A DEMO TODAY](#)

[gethevi.com](https://www.gethevi.com)