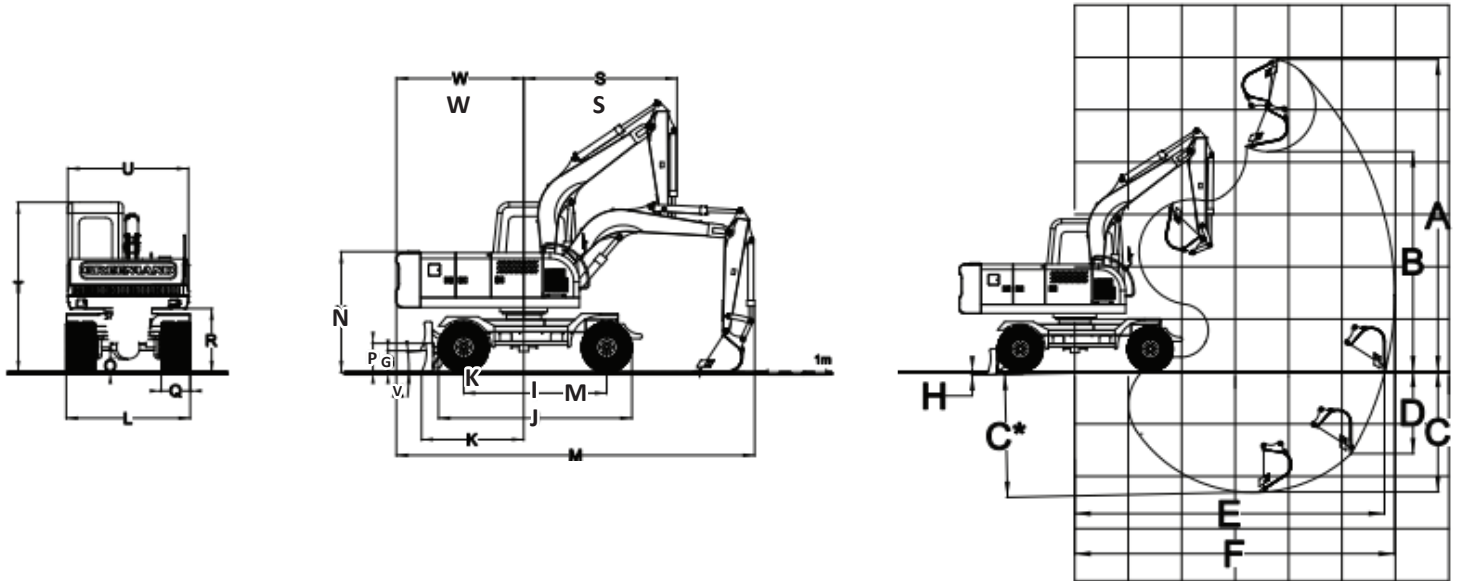


ALL ELECTRIC GEX-8000

All-Electric Excavator



Dimensions	Unit	GEX-8000
A - Maximum Cutting Height	ft. in. (mm)	19' 6" (5,950)
B - Maximum Dump Height	ft. in. (mm)	15' (4,590)
C - Maximum Digging Depth	ft. in. (mm)	7' 7" (2,300)
D - Maximum Vertical Wall Digging Depth	ft. in. (mm)	5' 2" (1,570)
E - Maximum Digging Reach at Ground Level	ft. in. (mm)	19' (5,790)
F - Maximum Digging Reach	ft. in. (mm)	19' 7" (5,980)
G - Highest Position Leveler Blade	ft. in. (mm)	1' 2" (365)
H - Lowest Position Leveler Blade	ft. in. (mm)	3" (66)
I - Wheel Base	ft. in. (mm)	8' (2,430)
J - Track Length	ft. in. (mm)	10' 9" (3,286)
K - Dozer Blade, Maximum Reach at Ground Level	ft. in. (mm)	5' 8" (1,736)
L - Overall Width	ft. in. (mm)	6' 11" (2,100)
M - Overall Length	ft. in. (mm)	20' (6,085)
N - Height of Counterweight	ft. in. (mm)	6' 9" (2,065)
O - Minimum Ground Clearance	ft. in. (mm)	9" (225)
P - Dozer Blade Height	ft. in. (mm)	1' 8" (500)
Q - Tires Width	ft. in. (mm)	1' 7" (490)
R - Ground Clearance to Superstructure	ft. in. (mm)	3' 7" (1,090)
S - Front Slew Radius	ft. in. (mm)	8' 7" (2,605)
T - Overall Height Cab	ft. in. (mm)	9' 7" (2,910)
U - Width of House	ft. in. (mm)	6' 9" (2,050)
V - Angle of Approach	degrees	5°
W - Tail Slew Radius	ft. in. (mm)	7' 1" (2,160)



If you're interested in learning more about our GEX series electric excavators and would like to see the features and capability first hand, please get in touch: sales@gethevi.com

SCHEDULE A DEMO TODAY

gethevi.com

General	Unit	GEX-8000
Operating Weight	lb. (kg)	18,739 (8,500)
Bucket Capacity	yd ³ (m ³)	0.34 (0.26)
Overall Length	ft. in. (mm)	20' (6,085)
Overall Width	ft. in. (mm)	6' 9" (2,050)
Overall Height (Bucket Lowered)	ft. in. (mm)	9' 7" (2,910)
Maximum Height (Bucket Raised)	ft. in. (mm)	19' 6" (5,950)
Dumping Height	ft. in. (mm)	15' (4,590)
Boom Swing Angle	degrees	360°
Wheel Base	ft. in. (mm)	8' (2,430)
Maximum Gradeability	%	70
Maximum Digging Force	kN	50
Battery	Unit	GEX-8000
Battery Type	-	Lithium Ferrophosphate (LFP)
Battery Capacity	Ah kWh	228 141
Battery Voltage	V	618.24
Energy Consumption (Underload)	kW/h	12
Battery Operating Temperature	°F (°C)	-31°-140° (-35°-60°)
Battery Cooling Mode	-	Liquid Cooling
Battery Heating Mode	-	PTC Heating
Service Life	Cycles	4,000; Capacity Fade <30%
Charging Port	-	J1772 / CCS1
Auxillary Battery Type	-	Lead-Acid
Auxillary Battery Capacity	Ah	36
Auxillary Battery Voltage	V	24
Charging Times (220V 480V DCFC)	hrs	12 3 <1.5
Driving	Unit	GEX-8000
Forward Speed	mph (kph)	2.4 (3.8)
Reverse Speed	mph (kph)	1.5 (2.5)
Steering Mode	-	Standard Steering + Rotational House
Motor Type	-	Permanent Magnet Synchronization
Rated Power	kW	60
Rated Voltage	V	380
Transmission Type	-	Hydraulic
Transmission Gear	-	1 Forward 1 Reverse
Tire	-	8.25-16-16PR
Brakes	-	Hydraulic Caliper Disc Brakes
Hydraulics System	Unit	GEX-8000
Working Oil Capacity	gal (L)	52.8 (200)
Working Hydraulic Pressure	psi (Mpa)	4,061 (28)
Working Hydraulic Output Volume	gpm (Lpm)	42.3 (160)
Working Hydraulic Rated Power	kW	46.5
Working Hydraulic Rated Torque	Nm (ft-lb)	222 (164)
Rotating Speed	r/min	2,000
Working Hydraulic Motor Type	-	Load Sensing System
Protection grade IP67	-	YES
Miscellaneous	Unit	GEX-8000
Sound Level in Cab	dBa	39.3
Sound Level 15ft away	dBa	49.2
Four wheel drive	-	YES

If you're interested in learning more about our GEX series electric excavators and would like to see the features and capability first hand, please get in touch: sales@gethevi.com

[SCHEDULE A DEMO TODAY](#)

[gethevi.com](https://www.gethevi.com)